



VALVOLE DI REGOLAZIONE FLUSSO

- Di solida e robusta costruzione, ricavate da massello di acciaio inossidabile.
- Regolazione della portata del flusso mediante avvitamento della ghiera di regolazione.
- Albero interno in acciaio inossidabile cromato; guarnizione in EPDM.
- Finitura standard: lucidatura esterna e satinatura interna grana 120. Altre finiture a richiesta.
- Max. pressione di esercizio: 15 bar.

FLOW CONTROL VALVES

- High strength construction from solid stainless steel block.
- Flow control by screwing of the external adjusting device.
- Internal stem of chrome-plated stainless steel. EPDM gasket.
- Standard finish: 120 grain external polishing and internal glazing. Other finishes on request.
- Maximum operating pressure: 15 bars.

VANNES DE RÉGLAGE FLUX

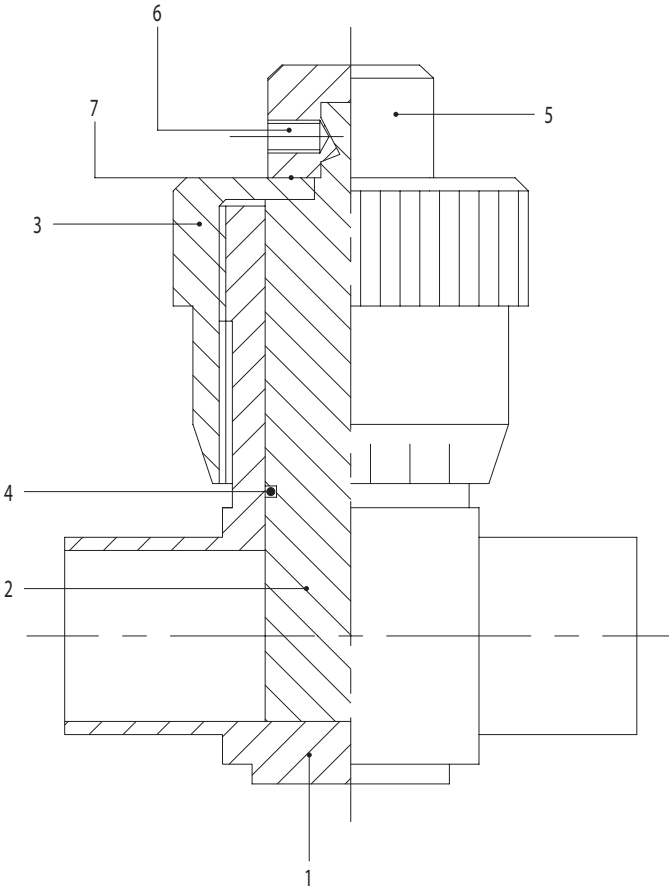
- Fabrication solide et robuste. Réalisées à partir de blocs d'acier inoxydable.
- Réglage du débit du flux par vissage de la bague de réglage.
- Arbre interne en acier inoxydable chromé; joint en EPDM.
- Finissage standard: polissage extérieur et satinage intérieur grain 120. Autres finissages sur demande.
- Pression d'exploitation maximum: 15 bars.

VÁLVULAS DE REGULACIÓN

- Fabricación sólida y robusta, puesto que se obtienen a partir de un lingote de acero inoxidable.
- Regulación del flujo mediante enroscado de la tuerca de regulación.
- Eje interior de acero inoxidable cromado; junta de EPDM.
- Acabado estándar: pulido exterior y satinado interior grano 120. A pedido, se pueden suministrar otros acabados.
- Máxima presión de ejercicio: 15 bares.



VALVOLA DI REGOLAZIONE FLUSSO
FLOW CONTROL VALVE
VANNE DE RÉGLAGE FLUX
VÁLVULA DE REGULACIÓN



- | | |
|--|--|
| 1. Corpo valvola
Valve casing
Corps vanne
Cuerpo | 5. Elemento di bloccaggio
Locking device
Élément de blocage
Elemento de bloqueo |
| 2. Tampone
Head seal
Tampon
Macho | 6. Grano
Dowel
Cheville
Pasador |
| 3. Ghiera di regolazione
Adjusting device
Bague de réglage
Tuerca de regulación | 7. Rondella
Washer
Rondelle
Arandela |
| 4. Anello di tenuta OR
OR seal ring
Joint torique
Junta OR | |

CODIFICAIONE
CODING
CODIFICATION
CODIFICACIÓN

Pos.	Cod. base	Norme	1" 25	D 25 28	D 32 34	1 1/2" 38	D 40 40	2" 51	D 50 52	2 1/2" 63	D 65 70	3" 76	Mat.	Part. o agg.
1	620	L	25	28	34	38	40	51	52	63	70	76	4L/6L	01
2	620	L	25/28	25/28	34	38/40	38/40	51/52	51/52	63	70	76	4L/6L	02
3	620		25/28	25/28	34	38/40	38/40	51/52	51/52	63	70	76	4L	03
4	OR		3081	3081	4093	4118	4118	6150	6150	6187	6212	6237	E	
5	620		25/76	25/76	25/76	25/76	25/76	25/76	25/76	25/76	25/76	25/76	4L	05
6	GRA		8x10	8x10	8x10	8x10	8x10	8x10	8x10	8x10	8x10	8x10	4L	
7	620		25/76	25/76	25/76	25/76	25/76	25/76	25/76	25/76	25/76	25/76	T	07



VALVOLE DI SICUREZZA

- Elemento di regolazione della pressione situato all'interno del corpo valvola a garanzia contro manovre accidentali.
- Finitura standard: lucidatura esterna e satinatura interna grana 120. Altre finiture a richiesta.
- Regolabili da 0 a 5 bar; a richiesta, regolabili fino a 12 bar.

RELIEF VALVES

- Pressure control element located inside valve body to prevent accidental operation.
- Standard finish: 120 grain external polishing and internal glazing. Other finishes on request.
- Adjustable from 0 to 5 bars. On request, adjustable up to 12 bars.

SOUPAPES DE SÛRETÉ

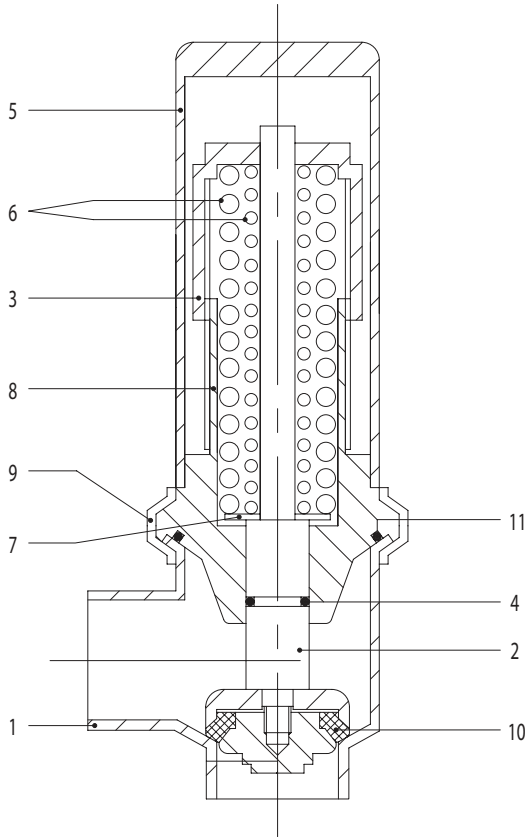
- Bague de réglage de la pression située dans le corps de la vanne afin d'éviter tout risque de manoeuvre accidentelle.
- Finissage standard: polissage extérieur et satinage intérieur grain 120. Autres finissages sur demande.
- Réglables de 0 à 5 bars; sur demande, réglables jusqu'à 12 bars.

VÁLVULAS DE SEGURIDAD

- Tuerca de regulación de la presión situada en el interior del cuerpo de la válvula para impedir que se produzcan maniobras accidentales.
- Acabado estándar: pulido exterior y satinado interior grano 120. A pedido, se pueden suministrar otros acabados.
- Se pueden regular de 0 a 5 bares; a pedido, se pueden regular hasta 12 bares.



**VALVOLE DI SICUREZZA
RELIEF VALVE
SOUPAPE DE SÛRETÉ
VÁLVULA DE SEGURIDAD**



- | | |
|---|--|
| 1. Corpo valvola
Valve casing
Corps vanne
Cuerpo | 7. Rondella
Washer
Rondelle
Arandela |
| 2. Tampone
Head seal
Piston
Macho | 8. Elemento base
Main assembly
Élément base
Cuerpo interno |
| 3. Elemento di regolazione
Adjusting cap
Bague de réglage
Tuerca de regulación | 9. Collare
Collar
Collier d'assemblage
Collarín |
| 4. Anello di tenuta OR
OR seal ring
Joint torique
Junta OR | 10. Guarnizione a labbro
Lip gasket
Joint à lèvres
Junta de reborde |
| 5. Coperchio
Cover
Couvercle
Tapa | 11. Anello di tenuta OR
OR seal ring
Joint torique
Junta OR |
| 6. Molla
Spring
Ressort
Muelle | |

**CODIFICAIONE
CODING
CODIFICATION
CODIFICACIÓN**

Pos.	Cod. base	Norme	1" 25	D 25 28	D 32 34	1 1/2" 38	D 40 40	2" 51	D 50 52	2 1/2" 63	D 65 70	3" 76	D 80 85	Mat.	Part. o agg.
1	630	L	25	28	34	38	40	51	52	63	70	76	85	4L/6L	01
2	630	L	25/40	25/40	25/40	25/40	25/40	51/52	51/52	63	70	76	85	4L/6L	02
3	630		25/85	25/85	25/85	25/85	25/85	25/85	25/85	25/85	25/85	25/85	25/85	OT	03
4	OR		117	117	117	117	117	117	117	117	117	117	117	E	
5	630		25/85	25/85	25/85	25/85	25/85	25/85	25/85	25/85	25/85	25/85	25/85	4L	05
6	630		25/28	25/28	34/40	34/40	34/40	51/52	51/52	63/70	63/70	76/85	76/85	4L	06
7	630		25/85	25/85	25/85	25/85	25/85	25/85	25/85	25/85	25/85	25/85	25/85	4L	07
8	630		25/40	25/40	25/40	25/40	25/40	51/52	51/52	63/76	63/76	63/76	85	4L/6L	08
9	630		25/40	25/40	25/40	25/40	25/40	51/52	51/52	63/76	63/76	63/76	85	4L	09
10	800		25/28	25/28	34/40	34/40	34/40	51/52	51/52	63	70	76	85	T/S/E/V	
11	OR		3225	3225	3225	3225	3225	3268	3268	4362	4362	4362	4362	E	



TAVOLA PRESSIONE DI ESERCIZIO
OPERATING PRESSURE TABLE
TABLE PRESSION DE SERVICE
TABLA PRESIÓN DE EJERCICIO

MOLLE STANDARD
STANDARD SPRINGS
RESSORT STANDARD
MUELLE STANDARD

Codice molla Spring code Code ressort Código muelle	Misura valvola Valve size Mesure vanne Medida válvula				
	1"	1 1/2"	2"	2 1/2"	3"
630 25/28 06	0 - 5 bar	0 - 3 bar	0 - 1,5 bar	0 - 1 bar	0 - 0,5 bar
630 34/40 06	0 - 8 bar	0 - 5 bar	0 - 3 bar	0 - 2 bar	0 - 1 bar
630 51/52 06	0 - 15 bar	0 - 7 bar	0 - 5 bar	0 - 3,5 bar	0 - 2,5 bar
630 63/85 06	0 - 25 bar	0 - 12 bar	0 - 7 bar	0 - 5 bar	0 - 4 bar

■ Campo pressioni di esercizio molle standard

Standard springs operating pressure range

Gamme pression de service ressort standard

Gama presión de ejercicio muelle standard

MOLLE A TAZZA
DISC SPRINGS
RESSORT CONIQUE
MUELLE CONICO

N. molle No. springs N. ressorts N. muelles	Misura valvola Valve size Mesure vanne Medida válvula		
	2"	52	2 1/2"
46	8 bar	8 bar	
56	9 - 12 bar	9 - 12 bar	8 - 10 bar
60			11 - 12 bar



VALVOLE DI RITEGNO

- Di solida e robusta costruzione, ricavate da massello di acciaio inossidabile.
- Ampia apertura del diaframma per permettere il passaggio di sostanze solide.
- Guarnizione di tenuta in PTFE o, a richiesta, altri elastomeri.
- Corredate con molle di bassa pressione che consentono il funzionamento della valvola sia in posizione verticale che orizzontale.
- Finitura standard: lucidatura esterna e satinatura interna grana 120. Altre finiture a richiesta.
- Max. pressione di esercizio: 10 bar.

CHECK VALVES

- High strength construction from solid stainless steel block.
- Wide diaphragm opening to permit passage of solid particles.
- PTFE sealing gasket or other elastomers on request.
- Equipped with low-pressure springs allowing either vertical or horizontal valve operation.
- Standard finish: 120 grain external polishing and internal glazing. Other finishes on request.
- Maximum operating pressure: 10 bars.

CLAPETS DE RETENUE

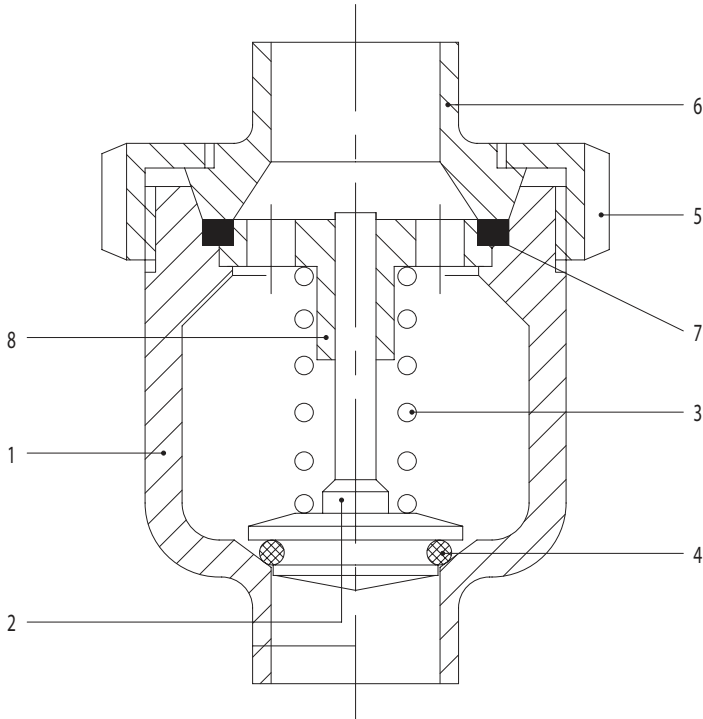
- Fabrication solide et robuste. Réalisées à partir de blocs d'acier inoxydable.
- Large ouverture du diaphragme de façon à permettre le passage des substances solides.
- Joints d'étanchéité en PTFE ou, sur demande, avec d'autres élastomères.
- Munies de ressorts à basse pression leur permettant de fonctionner aussi bien en position verticale qu'horizontale.
- Finissage standard: polissage extérieur et satinage intérieur grain 120. Autres finissages sur demande.
- Pression d'exploitation maximum: 10 bars.

VÁLVULAS DE RETENCIÓN

- Fabricación sólida y robusta, puesto que se obtienen a partir de un lingote de acero inoxidable.
- Amplia abertura del diafragma para permitir el paso de sustancias sólidas.
- Junta de PTFE o, a pedido, otros elastómeros.
- Equipadas con muelles de baja presión que permiten el funcionamiento de la válvula tanto en posición vertical como horizontal.
- Acabado estándar: pulido exterior y satinado interior grano 120. A pedido, se pueden suministrar otros acabados.
- Máxima presión de ejercicio: 10 bares.



VALVOLA DI RITEGNO
CHECK VALVE
CLAPET DE RETENUE
VÁLVULA DE RETENCIÓN



- | | |
|--|---|
| 1. Corpo valvola
Valve casing
Corps vanne
Cuerpo | 5. Girella
Nut
Écrou
Tuerca |
| 2. Tampone
Head seal
Piston
Macho | 6. Bocchettone
Union
Pièce
Casquillo |
| 3. Molla
Spring
Ressort
Muelle | 7. Guarnizione
Seal
Joint
Junta |
| 4. Guarnizione PTFE
PTFE seal
Joint PTFE
Junta PTFE | 8. Diaframma
Diaphragm
Diafragma
Diafragma |

CODIFICAZIONE
CODING
CODIFICATION
CODIFICACIÓN

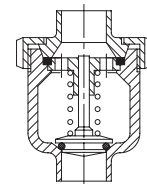
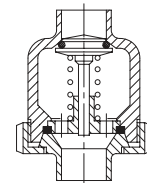
Pos.	Cod. base	Norme	1" 25	D 25 28	D 32 34	1 1/2" 38	D 40 40	2" 51	D 50 52	2 1/2" 63	D 65 70	3" 76	D 80 85	4" 101	D 100 101	Mat.	Part. o agg.
1	641	D		28	34		40		52		70		85		101	4L/6L	01
1	641	S	25			38		51		63		76		101		4L/6L	01
1	641	B	25			38		51		63		76		101		4L/6L	01
1	641	I	25			38		51		63		76		101		4L/6L	01
2	640		25	28	34	38/40	38/40	51/52	51/52	63	70	76	85	101	101	6L	02
3	640		25/34	25/34	25/34	38/40	38/40	51/52	51/52	63/70	63/70	76/85	76/85	101	101	4L	03
4	640		25	28	34	38/40	38/40	51/52	51/52	63	70	76	85	101	101	T/E/S/V	04
5	121	D		40	50		50		65		80		100		100	4L	05
5	121	S	38			51		63		76		101		101		4L	05
5	121	B	38			51		63		76		101		101		4L	05
5	121	I	38			51		63		76		101		101		4L	05
6	116	D		40/28	50/34		50/40		65/52		80/70		100/85		101/101	4L/6L	06
6	116	S	38/25			51/38		63/51		76/63		101/76		101/101		4L/6L	06
6	116	B	38/25			51/38		63/51		76/63		101/76		101/101		4L/6L	06
6	116	I	38/25			51/38		63/51		76/63		101/76		101/101		4L/6L	06
7	131	D		40	50		50		65		80		100			E	07
7	131	S	38			51		63		76		101		101		E	07
7	131	B	38			51		63		76		101		101		E	07
7	131	I	38			51		63		76		101		101		E	07
8	640	D		25	32		40		50		65		80		100	6L	08
8	640	S	25			38		51		63		76		101		6L	08
8	640	B	25			38		51		63		76		101		6L	08
8	640	I	25			38		51		63		76		101		6L	08

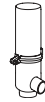

**MOLLA
SPRING
RESSORT
MUELLE**

Misura valvola Valve size Mesure vanne Medida válvula	Codice molla Spring code Code ressort Código muelle	Ø l l Ø Ø l Ø l	Ø filo Ø wire Ø fil Ø hilo	Corsa libera Free length Longueur libre Carrera libre	N. spire No. coils N. tours N. espiras
12	640 12 03	11 mm	0,8 mm	44 mm	20
19	640 19 03	12,2 mm	0,9 mm	60 mm	16
25/34	640 25/34 03	15,5 mm	1 mm	72 mm	17 ³ / ₄
38/40	640 38/40 03	15,5 mm	1,3 mm	70 mm	18
51	640 51 03	15,5 mm	1,3 mm	72 mm	15
63/70	640 63/70 03	15,5 mm	1,5 mm	72 mm	18 ¹ / ₂
76/80	640 76/80 03	20,4 mm	2 mm	70 mm	16
101	640 101 03	20,5 mm	2,3 mm	82 mm	16

**CAMPO PRESSIONE DI APERTURA
OPENING PRESSURE RANGE
GAMME PRESSION D'OUVERTURE
GAMA PRESIÓN DE ABERTURA**

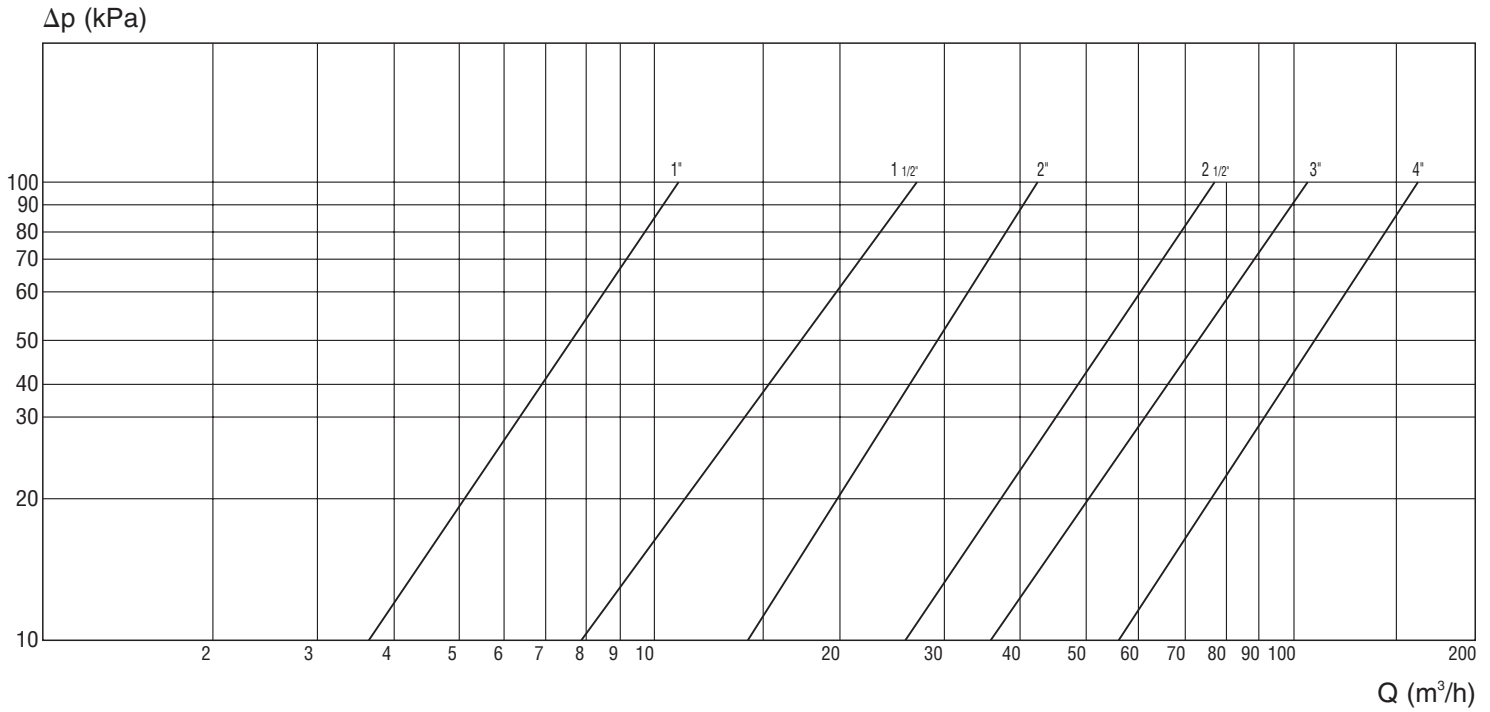
Misura valvola Valve size Mesure vanne Medida válvula	Bar Bars Bars Bares	640 25/34 03	640 38/40 03	640 51 03	640 63/70 03	640 76/80 03
25	A	0,152	0,341	1,000	1,120	1,283
	B	0,116	0,305	0,968	1,084	1,247
28	A	0,119	0,266	0,780	0,870	0,996
	B	0,089	0,236	0,750	0,840	0,966
38/40	A	0,055	0,115	0,219	0,361	0,418
	B	0,029	0,089	0,193	0,334	0,392
51	A	0,036	0,067	0,096	0,196	0,228
	B	0,008	0,035	0,069	0,168	0,200
63	A				0,083	0,101
	B				0,057	0,075
70	A				0,073	0,089
	B				0,046	0,061
76	A					0,069
	B					0,040
85	A					0,063
	B					0,036


A

B



PERDITE DI CARICO
PRESSURE DROP

PERTES DE CHARGE
PÉRDIDA DE CARGA





VALVOLE DI PRESSIONE DEPRESSIONE

- Ricavate da particolari stampati a caldo o laminati e solubilizzati.
- Pressione di apertura 0,05 bar, pressione di chiusura 0,05 bar.
- Finitura standard: lucidatura esterna e satinatura interna grana 120. Altre finiture a richiesta.

VACUUM PRESSURE VALVES

- Made from hot-rolled or press-forged material and solution heat-treated.
- Opening pressure 0.05 bars, closing pressure 0.05 bars.
- Standard finish: 120 grain external polishing and internal glazing. Other finishes on request.

SOUPAPES DE PRESSION DÉPRESSION

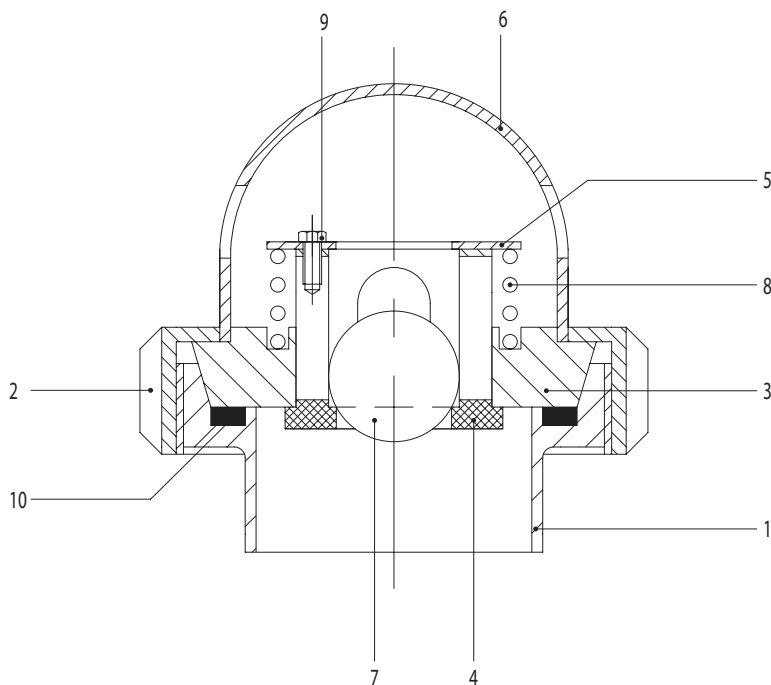
- Obtenues à partir de pièces moulées à chaud et solubilisées.
- Pression d'ouverture 0,05 bars, pression de fermeture 0,05 bars.
- Finissage standard: polissage extérieur et satinage intérieur grain 120. Autres finissages sur demande.

VÁLVULAS DE PRESIÓN VACÍO

- Obtenidas a partir de piezas estampadas en caliente o laminadas y solubilizadas.
- Presión de abertura 0,05 bares, presión de cierre 0,05 bares.
- Acabado estándar: pulido exterior y satinado interior grano 120. A pedido, se pueden suministrar otros acabados.



VALVOLA DI PRESSIONE DEPRESSIONE
 VACUUM PRESSURE VALVE
 SOUPAPE DE PRESSION DÉPRESSION
 VÁLVULA DE PRESIÓN VACÍO



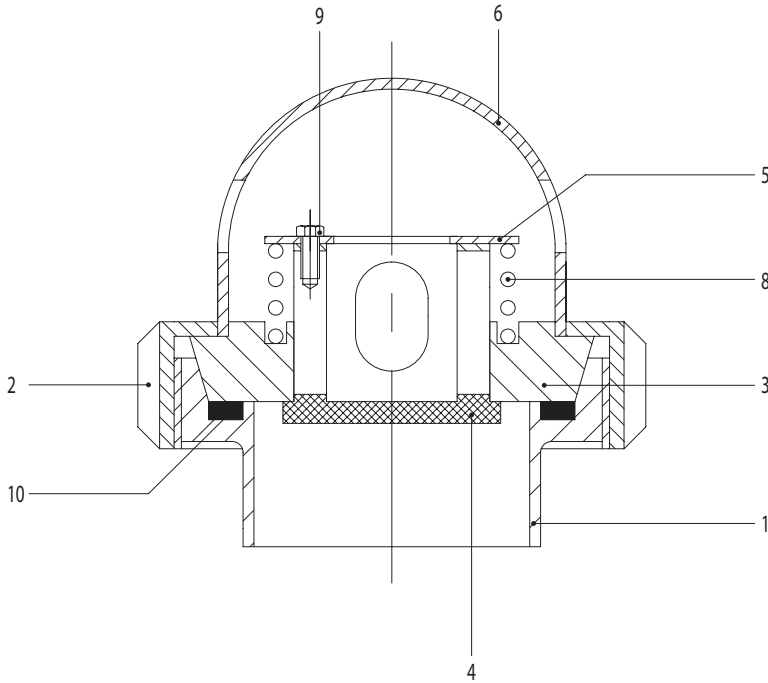
- | | |
|--|---|
| 1. Bocchettone filettato
Male part
Pièce filetée
Macho racor | 6. Cappello
Cap
Capot
Capuchón |
| 2. Girella
Nut
Écrou
Tuerca | 7. Sfera
Ball
Boule
Bola |
| 3. Tappo
Blank
Bouchon
Tapón | 8. Molla vuoto
Vacuum spring
Ressort dépression
Muelle vacío |
| 4. Elemento di bloccaggio
Locking device
Élement de blocage
Elemento de bloqueo | 9. Vite
Screw
Vis
Tornillo |
| 5. Disco superiore
Upper disk
Disque supérieur
Disco superior | 10. Guarnizione
Seal
Joint
Junta |

CODIFICAIONE
 CODING
 CODIFICATION
 CODIFICACIÓN

Pos.	Cod. base	Norme	1 1/2"	D 40	2"	D 50	2 1/2"	D 65	Mat.	Part. o agg.
			38	40	51	52	63	70		
1	117	D	38	40	51	52	63	70	4L	01
2	121	D	40	40	50	50	65	65	4L	02
3	645		38/40	38/40	51/52	51/52	63/70	63/70	4L	03
4	645		38/40	38/40	51/52	51/52	63/70	63/70	T/A	04
5	645		38/40	38/40	51/52	51/52	63/70	63/70	4	05
6	645		38/40	38/40	51/52	51/52	63/70	63/70	4	06
7	645		38/40	38/40	51/52	51/52	63/70	63/70	4	07
8	645		38/40	38/40	51/52	51/52	63/70	63/70	4	08
9	TCCE		M3x6	M3x6	M3x6	M3x6	M3x6	M3x6	4	
10	131	D	40	40	50	50	65	65	N	10



VALVOLA DI DEPRESSIONE
 VACUUM VALVE
 SOUPAPE DE DÉPRESSION
 VÁLVULA DE VACÍO



- | | |
|--|---|
| 1. Bocchettone filettato
Male part
Pièce fileté
Macho racor | 6. Cappellotto
Cap
Capot
Capuchón |
| 2. Girella
Nut
Écrou
Tuerca | 8. Molla vuoto
Vacuum spring
Ressort dépression
Muelle vacío |
| 3. Tappo
Blank
Bouchon
Tapón | 9. Vite
Screw
Vis
Tornillo |
| 4. Elemento di bloccaggio
Locking device
Élement de blocage
Elemento de bloqueo | 10. Guarnizione
Seal
Joint
Junta |
| 5. Disco superiore
Upper disk
Disque supérieur
Disco superior | |

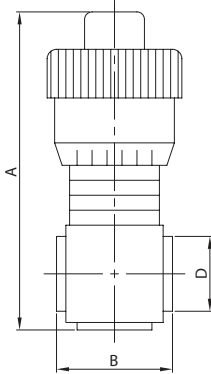
CODIFICAZIONE
 CODING
 CODIFICATION
 CODIFICACIÓN

Pos.	Cod. base	Norme	1 1/2"	D 40	2"	D 50	2 1/2"	D 65	Mat.	Part. o agg.
			38	40	51	52	63	70		
1	117	D	38	40	51	52	63	70	4L	01
2	121	D	40	40	50	50	65	65	4L	02
3	645		38/40	38/40	51/52	51/52	63/70	63/70	4L	03
4	645		38/40	38/40	51/52	51/52	63/70	63/70	T/A	04
5	645		38/40	38/40	51/52	51/52	63/70	63/70	4	05
6	645		38/40	38/40	51/52	51/52	63/70	63/70	4	06
8	645		38/40	38/40	51/52	51/52	63/70	63/70	4	08
9	TCCE		M3x6	M3x6	M3x6	M3x6	M3x6	M3x6	4	
10	131	D	40	40	50	50	65	65	N	10



V. REGOLAZIONE FLUSSO SR.
 FLOW CONTROL V. WG.
 V. RÉGLAGE FLUX SR.
 V. REGULACIÓN SR.

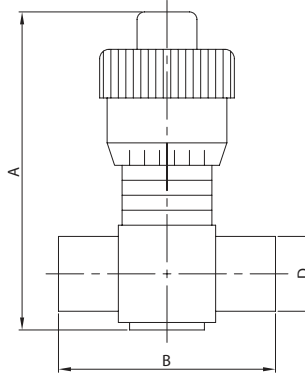
619 L



DN	A	B	D	gr
28	127,0	43,0	28,0	1.220
34	140,0	50,0	34,0	2.200
40	165,0	60,0	40,0	2.820
52	200,0	70,0	52,0	3.760
70	253,0	87,0	70,0	7.420

V. REGOLAZIONE FLUSSO EL.
 FLOW CONTROL V. PE.
 V. RÉGLAGE FLUX BL.
 V. REGULACIÓN EL.

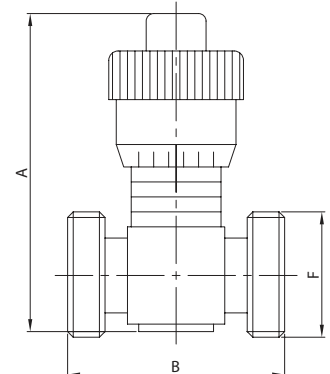
620 L



DN	A	B	D	gr
28	127,0	83,0	28,0	1.250
34	140,0	90,0	34,0	2.260
40	165,0	100,0	40,0	2.860
52	200,0	124,0	52,0	3.820
70	253,0	137,0	70,0	7.460

V. REGOLAZIONE FLUSSO EF.
 FLOW CONTROL V. ME.
 V. RÉGLAGE FLUX BF.
 V. REGULACIÓN ER.

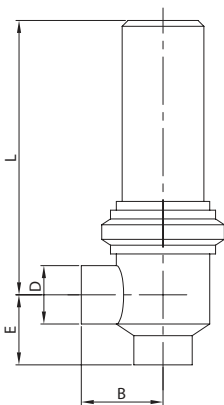
621 D



DN	A	B	F	gr
25	127,0	101,0	52-6	1.440
32	140,0	114,0	58-6	2.560
40	165,0	126,0	65-6	3.150
50	200,0	140,0	78-6	4.200
65	253,0	167,0	95-6	8.300

VALVOLA SICUREZZA EL.
 RELIEF VALVE PE.
 SOUPAPE SÛRETÉ BL.
 VÁLVULA SEGURIDAD EL.

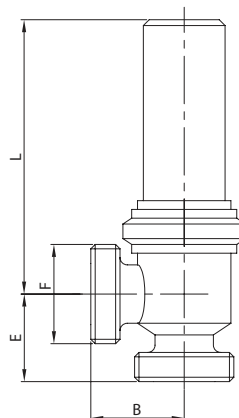
630 L



DN	B	D	E	L	gr
28	60,0	28,0	38,0	158,0	2.185
34	60,0	34,0	43,0	163,0	2.160
40	60,0	40,0	45,0	165,0	2.280
52	70,0	52,0	51,0	175,0	2.910
70	80,0	70,0	65,0	200,0	4.650
85	82,0	85,0	83,0	210,0	6.200

VALVOLA SICUREZZA EF.
 RELIEF VALVE ME.
 SOUPAPE SÛRETÉ BF.
 VÁLVULA SEGURIDAD ER.

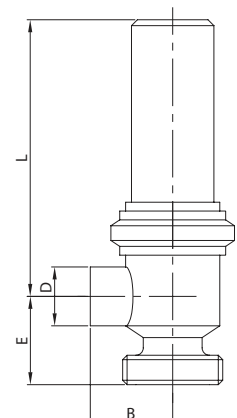
631 D



DN	B	E	F	L	gr
25	74,0	52,0	52-6	158,0	2.445
32	74,0	57,0	58-6	163,0	2.500
40	73,0	58,0	65-6	165,0	3.300
50	83,0	64,0	78-6	175,0	3.470
65	95,0	80,0	95-6	200,0	5.410
80	99,0	99,0	110-4	210,0	7.400

VALVOLA SICUREZZA EL./EF.
 RELIEF VALVE PE./ME.
 SOUPAPE SÛRETÉ BL./BF.
 VÁLVULA SEGURIDAD EL./ER.

632 D

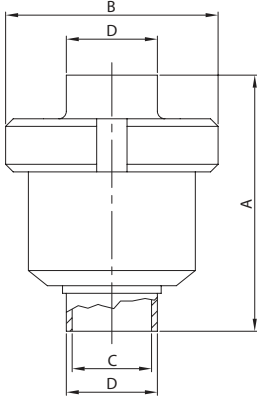


DN	B	D	E	L	gr
25	60,0	28,0	52,0	158,0	2.315
32	60,0	34,0	57,0	163,0	2.330
40	60,0	40,0	58,0	165,0	3.020
50	70,0	52,0	64,0	175,0	3.190
65	80,0	70,0	80,0	200,0	5.030
80	82,0	85,0	99,0	210,0	6.800



VALVOLA RITEGNO ES.
 CHECK VALVE WE.
 CLAPET RETENUE BS.
 VÁLVULA RETENCIÓN ES.

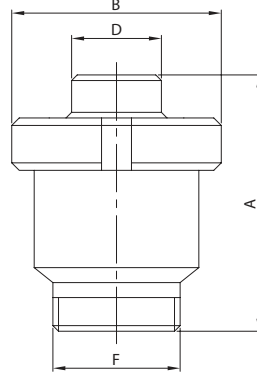
641 D



DN	A	B	C	D	gr
25	87,0	78,0	25,0	28,0	1.100
32	89,0	92,0	31,0	34,0	1.650
40	97,0	92,0	37,0	40,0	1.530
50	101,5	112,0	49,0	52,0	2.440
65	119,5	138,0	66,0	70,0	4.010
80	132,0	148,0	81,0	85,0	5.340
100	118,0	148,0	97,6	101,6	6.330
104	118,0	148,0	100,0	104,0	6.330

V. RITEGNO EF./BC. MR.
 CHECK V. ME./TP. EG.
 C. RETENUE BF./PC. DR.
 V. RETENCIÓN ER./C. MR.

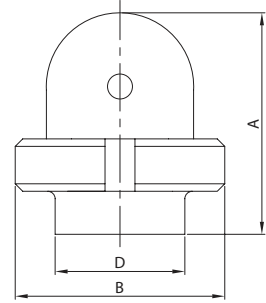
642 D



DN	A	B	D	F	gr
25	89,0	78,0	35,0	52-6	1.120
32	94,0	92,0	41,0	58-6	1.670
40	105,0	92,0	48,0	65-6	1.560
50	109,5	112,0	61,0	78-6	2.500
65	132,5	138,0	79,0	95-6	4.170
80	133,5	148,0	93,0	110-4	5.550
100	126,0	158,0	114,0	130-4	7.050
104	126,0	158,0	114,0	130-4	7.050

V. PRESS. DEPRESSIONE EL.
 VACUUM PRESSURE V. PE.
 S. PRESS. DÉPRESSION BL.
 V. PRESIÓN VACÍO EL.

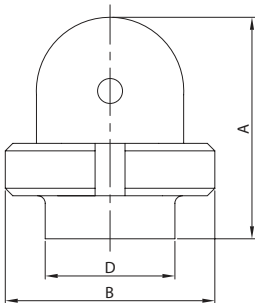
645 L



DN	A	B	D	gr
40	46,0	92,0	40,0	730
52	55,0	112,0	52,0	1.300
70	70,0	138,0	70,0	1.850

VALVOLA DEPRESSIONE EL.
 VACUUM VALVE PE.
 SOUPAPE DÉPRESSION BL.
 VÁLVULA VACÍO EL.

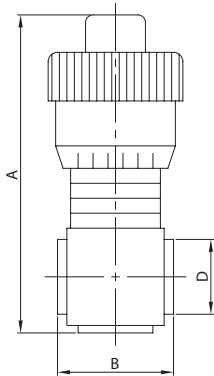
646 L



DN	A	B	D	gr
40	46,0	92,0	40,0	730
52	55,0	112,0	52,0	1.300
70	70,0	138,0	70,0	1.850

V. REGOLAZIONE FLUSSO SR.
 FLOW CONTROL V. WG.
 V. RÉGLAGE FLUX SR.
 V. REGULACIÓN SR.

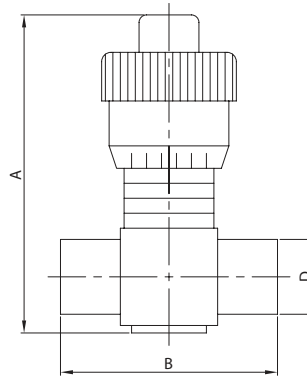
619 L



DN	A	B	D	gr
25	126,0	43,0	25,4	1.220
38	165,0	60,0	38,1	2.820
51	200,0	70,0	50,8	3.760
63	230,0	83,0	63,5	5.580
76	274,0	95,0	76,2	7.400

V. REGOLAZIONE FLUSSO EL.
 FLOW CONTROL V. PE.
 V. RÉGLAGE FLUX BL.
 V. REGULACIÓN EL.

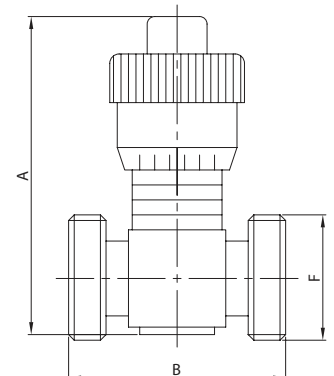
620 L



DN	A	B	D	gr
25	126,0	83,0	25,4	1.250
38	165,0	100,0	38,1	2.860
51	200,0	124,0	50,8	3.820
63	230,0	133,0	63,5	5.640
76	274,0	145,0	76,2	7.460

V. REGOLAZIONE FLUSSO EF.
 FLOW CONTROL V. ME.
 V. RÉGLAGE FLUX BF.
 V. REGULACIÓN ER.

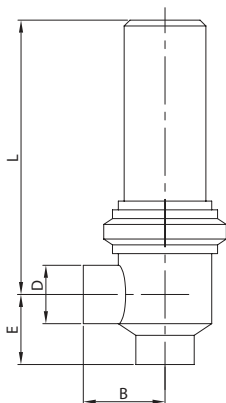
621 S



DN	A	B	F	gr
25	126,0	83,0	40-6	1.350
38	165,0	106,0	60-6	3.200
51	200,0	120,0	70-6	4.360
63	230,0	143,0	85-6	6.560
76	274,0	165,0	98-6	8.680

VALVOLA SICUREZZA EL.
 RELIEF VALVE PE.
 SOUPAPE SÛRETÉ BL.
 VÁLVULA SEGURIDAD EL.

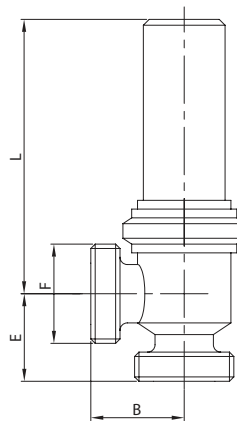
630 L



DN	B	D	E	L	gr
25	60,0	25,4	43,0	163,0	2.185
38	60,0	38,1	48,5	168,5	2.270
51	70,0	50,8	54,0	178,0	2.910
63	80,0	63,5	72,0	207,0	4.550
76	90,0	76,2	90,0	210,0	6.100

VALVOLA SICUREZZA EF.
 RELIEF VALVE ME.
 SOUPAPE SÛRETÉ BF.
 VÁLVULA SEGURIDAD ER.

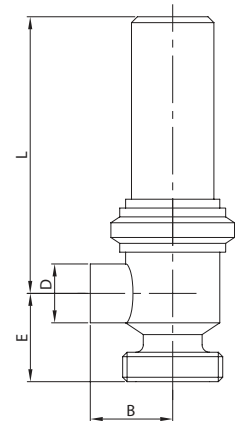
631 S



DN	B	E	F	L	gr
25	75,0	58,0	40-6	163,0	2.325
38	80,0	68,5	60-6	168,5	2.650
51	90,0	74,0	70-6	178,0	3.310
63	104,0	96,0	85-6	207,0	5.290
76	114,0	114,0	98-6	210,0	7.060

VALVOLA SICUREZZA EL./EF.
 RELIEF VALVE PE./ME.
 SOUPAPE SÛRETÉ BL./BF.
 VÁLVULA SEGURIDAD EL./ER.

632 S

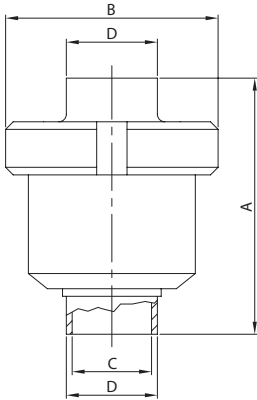


DN	B	D	E	L	gr
25	60,0	25,4	58,0	163,0	2.255
38	60,0	38,1	68,5	168,5	2.460
51	70,0	50,8	74,0	178,0	3.110
63	80,0	63,5	96,0	207,0	4.920
76	90,0	76,2	114,0	210,0	6.580



VALVOLA RITEGNO ES.
 CHECK VALVE WE.
 CLAPET RETENUE BS.
 VÁLVULA RETENCIÓN ES.

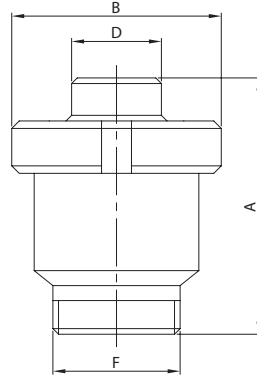
641 S



DN	A	B	C	D	gr
25	76,0	74,0	22,4	25,4	1.100
38	98,0	84,0	35,1	38,1	1.530
51	94,0	100,0	47,8	50,8	2.440
63	108,0	114,0	60,5	63,5	4.010
76	126,0	154,0	72,9	76,2	5.340
101	118,0	154,0	97,6	101,6	6.330

V. RITEGNO EF./BL. MR.
 CHECK V. ME./L. EG.
 C. RETENUE BF./PL. DR.
 V. RETENCIÓN ER./C. MR.

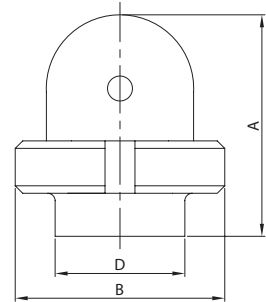
642 S



DN	A	B	D	F	gr
25	79,5	74,0	32,0	40-6	1.120
38	102,0	84,0	48,0	60-6	1.560
51	100,0	100,0	61,0	70-6	2.500
63	122,5	114,0	73,5	85-6	4.170
76	132,0	154,0	86,0	98-6	5.550
101	127,0	154,0	116,0	132-6	7.050

V. PRESS. DEPRESSIONE EL.
 VACUUM PRESSURE V. PE.
 S. PRESS. DÉPRESSION BL.
 V. PRESIÓN VACÍO EL.

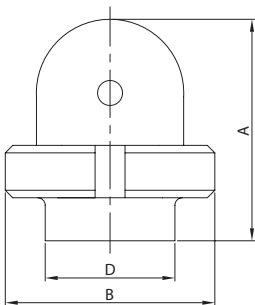
645 L



DN	A	B	D	gr
38	46,0	92,0	38,1	700
51	55,0	112,0	50,8	1.270
63	70,0	138,0	63,5	1.800

VALVOLA DEPRESSIONE EL.
 VACUUM VALVE PE.
 S. DÉPRESSION BL.
 VÁLVULA VACÍO EL.

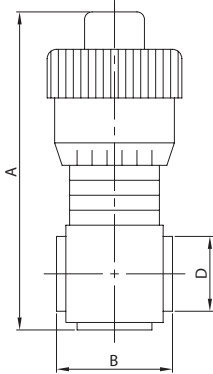
646 L



DN	A	B	D	gr
38	46,0	92,0	38,1	700
51	55,0	112,0	50,8	1.270
63	70,0	138,0	63,5	1.800

V. REGOLAZIONE FLUSSO SR.
 FLOW CONTROL V. WG.
 V. RÉGLAGE FLUX SR.
 V. REGULACIÓN SR.

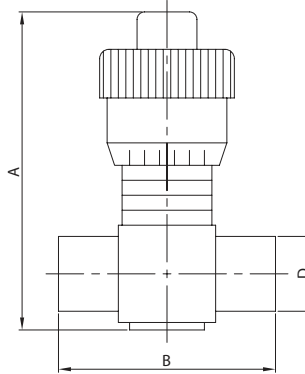
619 L



DN	A	B	D	gr
25	126,0	43,0	25,4	1.220
38	165,0	60,0	38,1	2.820
51	200,0	70,0	50,8	3.760
63	230,0	83,0	63,5	5.580
76	274,0	95,0	76,2	7.400

V. REGOLAZIONE FLUSSO EL.
 FLOW CONTROL V. PE.
 V. RÉGLAGE FLUX BL.
 V. REGULACIÓN EL.

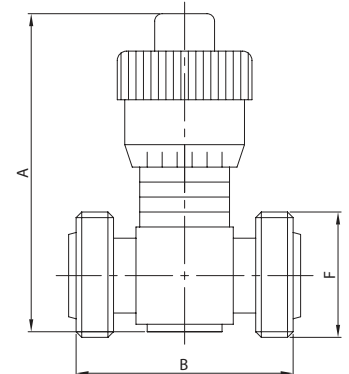
620 L



DN	A	B	D	gr
25	126,0	83,0	25,4	1.250
38	165,0	100,0	38,1	2.860
51	200,0	124,0	50,8	3.820
63	230,0	133,0	63,5	5.640
76	274,0	145,0	76,2	7.460

V. REGOLAZIONE FLUSSO EF.
 FLOW CONTROL V. ME.
 V. RÉGLAGE FLUX BF.
 V. REGULACIÓN ER.

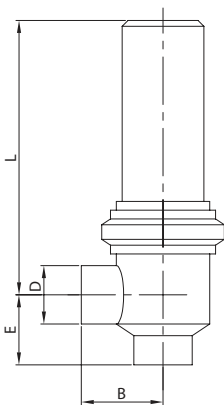
621 B



DN	A	B	F	gr
25	126,0	97,0	46-8	1.450
38	165,0	114,0	58-8	3.140
51	200,0	124,0	73-6	4.240
63	230,0	137,0	85-6	6.140
76	274,0	149,0	98-6	8.100

VALVOLA SICUREZZA EL.
 RELIEF VALVE PE.
 SOUPAPE SÛRETÉ BL.
 VÁLVULA SEGURIDAD EL.

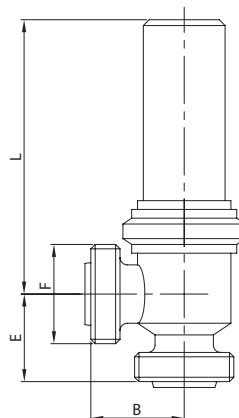
630 L



DN	B	D	E	L	gr
25	60,0	25,4	43,0	163,0	2.185
38	60,0	38,1	48,5	168,5	2.270
51	70,0	50,8	54,0	178,0	2.910
63	80,0	63,5	72,0	207,0	4.550
76	90,0	76,2	90,0	210,0	6.100

VALVOLA SICUREZZA EF.
 RELIEF VALVE ME.
 SOUPAPE SÛRETÉ BF.
 VÁLVULA SEGURIDAD ER.

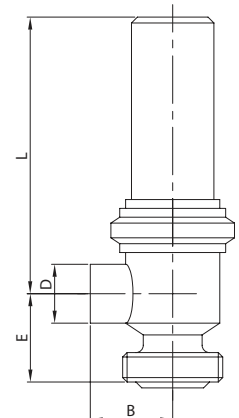
631 B



DN	B	E	F	L	gr
25	79,0	62,0	46-8	163,0	2.385
38	79,0	67,5	58-8	168,5	2.590
51	89,0	73,0	76-6	178,0	3.390
63	99,0	91,0	85-6	207,0	5.110
76	109,0	109,0	98-6	210,0	6.800

VALVOLA SICUREZZA EL./EF.
 RELIEF VALVE PE./ME.
 SOUPAPE SÛRETÉ BL./BF.
 VÁLVULA SEGURIDAD EL./ER.

632 B

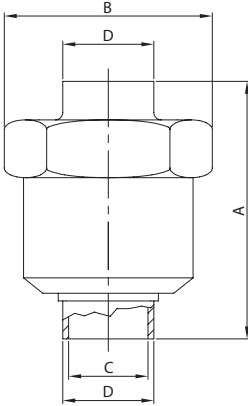


DN	B	D	E	L	gr
25	60,0	25,4	62,0	163,0	2.285
38	60,0	38,1	67,5	168,5	2.430
51	70,0	50,8	73,0	178,0	3.150
63	80,0	63,5	91,0	207,0	4.830
76	90,0	76,2	109,0	210,0	6.450



VALVOLA RITEGNO ES.
 CHECK VALVE WE.
 CLAPET RETENUE BS.
 VÁLVULA RETENCIÓN ES.

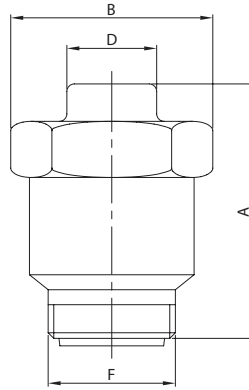
641 B



DN	A	B	C	D	gr
25	85,0	65,0	22,4	25,4	1.100
38	94,0	80,0	35,1	38,1	1.530
51	93,0	92,0	47,8	50,8	2.440
63	106,0	104,0	60,5	63,5	4.010
76	111,0	130,0	72,9	76,2	5.340
101	118,0	130,0	97,6	101,6	6.330

V. RITEGNO EF./BL. MR.
 CHECK V. ME./L. EG.
 C. RETENUE BF./PL. DR.
 V. RETENCIÓN ER./C. MR.

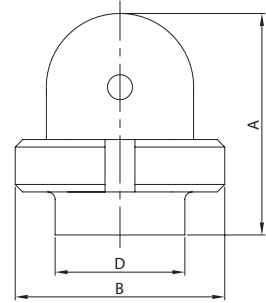
642 B



DN	A	B	D	F	gr
25	92,0	65,0	32,5	46-8	1.120
38	104,0	80,0	45,0	58-8	1.560
51	106,0	92,0	58,0	73-6	2.500
63	125,5	104,0	70,5	85-6	4.170
76	128,0	130,0	83,5	98-6	5.550
101	124,0	130,0	109,5	123-6	7.050

V. PRESS. DEPRESSIONE EL.
 VACUUM PRESSURE V. PE.
 S. PRESS. DÉPRESSION BL.
 V. PRESIÓN VACÍO EL.

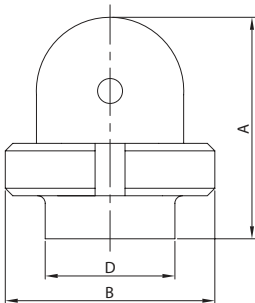
645 L



DN	A	B	D	gr
38	46,0	92,0	38,1	700
51	55,0	112,0	50,8	1.270
63	70,0	138,0	63,5	1.800

VALVOLA DEPRESSIONE EL.
 VACUUM VALVE PE.
 S. DÉPRESSION BL.
 VÁLVULA VACÍO EL.

646 L

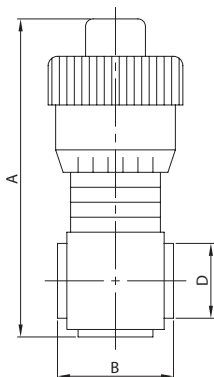


DN	A	B	D	gr
38	46,0	92,0	38,1	700
51	55,0	112,0	50,8	1.270
63	70,0	138,0	63,5	1.800



V. REGOLAZIONE FLUSSO SR.
 FLOW CONTROL V. WG.
 V. RÉGLAGE FLUX SR.
 V. REGULACIÓN SR.

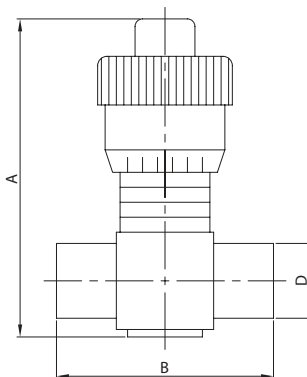
619 L



DN	A	B	D	gr
25	126,0	43,0	25,4	1.220
38	165,0	60,0	38,1	2.820
51	200,0	70,0	50,8	3.760
63	230,0	83,0	63,5	5.580
76	274,0	95,0	76,2	7.400

V. REGOLAZIONE FLUSSO EL.
 FLOW CONTROL V. PE.
 V. RÉGLAGE FLUX BL.
 V. REGULACIÓN EL.

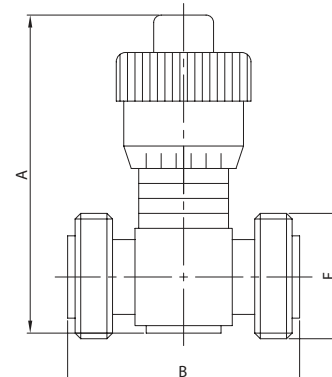
620 L



DN	A	B	D	gr
25	126,0	83,0	25,4	1.250
38	165,0	100,0	38,1	2.860
51	200,0	124,0	50,8	3.820
63	230,0	133,0	63,5	5.640
76	274,0	145,0	76,2	7.460

V. REGOLAZIONE FLUSSO EF.
 FLOW CONTROL V. ME.
 V. RÉGLAGE FLUX BF.
 V. REGULACIÓN ER.

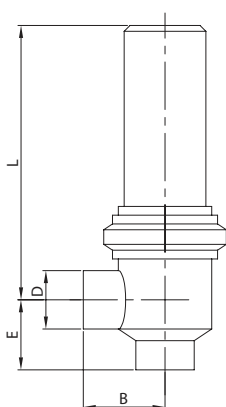
621 I



DN	A	B	F	gr
25	126,0	86,0	37-8	1.360
38	165,0	103,0	50-8	3.040
51	200,0	113,0	64-8	4.060
63	230,0	126,0	77-8	6.000
76	274,0	138,0	91-8	7.940

VALVOLA SICUREZZA EL.
 RELIEF VALVE PE.
 SOUPAPE SÛRETÉ BL.
 VÁLVULA SEGURIDAD EL.

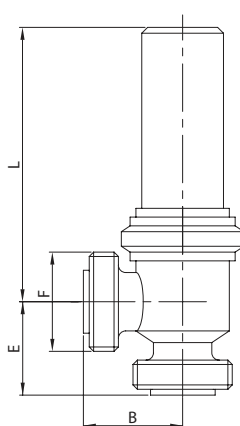
630 L



DN	B	D	E	L	gr
25	60,0	25,4	43,0	163,0	2.185
38	60,0	38,1	48,5	168,5	2.270
51	70,0	50,8	54,0	178,0	2.910
63	80,0	63,5	72,0	207,0	4.550
76	90,0	76,2	90,0	210,0	6.100

VALVOLA SICUREZZA EF.
 RELIEF VALVE ME.
 SOUPAPE SÛRETÉ BF.
 VÁLVULA SEGURIDAD ER.

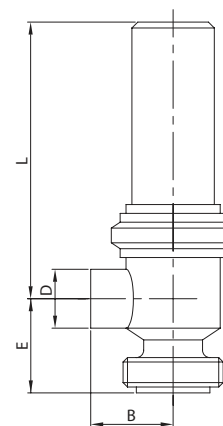
631 I



DN	B	E	F	L	gr
25	81,5	64,5	37-8	163,0	2.325
38	81,5	70,0	50-8	168,5	2.470
51	91,5	75,5	64-8	178,0	3.150
63	101,5	93,5	77-8	200,0	4.940
76	121,5	111,5	91-8	210,0	6.620

VALVOLA SICUREZZA EL./EF.
 RELIEF VALVE PE./ME.
 SOUPAPE SÛRETÉ BL./BF.
 VÁLVULA SEGURIDAD EL./ER.

632 I

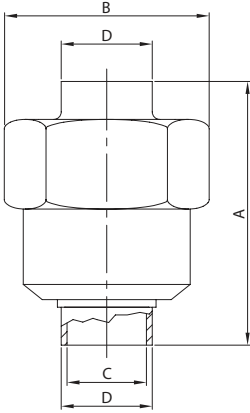


DN	B	D	E	L	gr
25	60,0	25,4	64,5	163,0	2.255
38	60,0	38,1	70,0	168,5	2.370
51	70,0	50,8	75,5	178,0	3.030
63	80,0	63,5	93,5	200,0	4.745
76	90,0	76,2	111,5	210,0	6.360



VALVOLA RITEGNO ES.
 CHECK VALVE WE.
 CLAPET RETENUE BS.
 VÁLVULA RETENCIÓN ES.

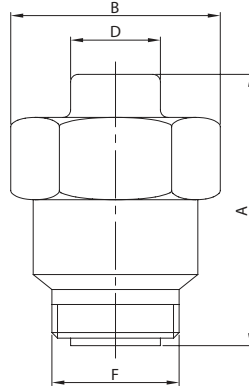
641 I



DN	A	B	C	D	gr
25	83,0	60,0	22,4	25,4	1.100
38	91,0	75,0	35,1	38,1	1.530
51	106,0	90,0	47,8	50,8	2.440
63	123,0	105,0	60,5	63,5	4.010
76	130,5	134,0	72,9	76,2	5.340
101	135,0	134,0	97,6	101,6	6.330

V. RITEGNO EF./BL. MR.
 CHECK V. ME./L. EG.
 C. RETENUE BF./PL. DR.
 V. RETENCIÓN ER./C. MR.

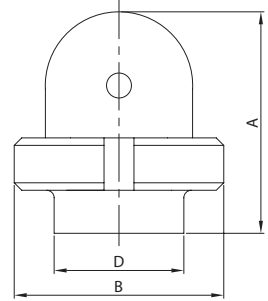
642 I



DN	A	B	D	F	gr
25	83,0	60,0	28,0	37-8	1.120
38	91,0	75,0	42,5	50-8	1.560
51	106,0	90,0	56,0	64-8	2.500
63	123,0	105,0	69,5	77-8	4.170
76	130,5	134,0	82,0	91-8	5.550
101	135,0	134,0	108,4	118-8	7.050

V. PRESS. DEPRESSIONE EL.
 VACUUM PRESSURE V. PE.
 S. PRESS. DÉPRESSION BL.
 V. PRESIÓN VACÍO EL.

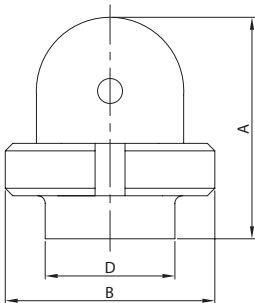
645 L



DN	A	B	D	gr
38	46,0	92,0	38,1	700
51	55,0	112,0	50,8	1.270
63	70,0	138,0	63,5	1.800

VALVOLA DEPRESSIONE EL.
 VACUUM VALVE PE.
 S. DÉPRESSION BL.
 VÁLVULA VACÍO EL.

646 L



DN	A	B	D	gr
38	46,0	92,0	38,1	700
51	55,0	112,0	50,8	1.270
63	70,0	138,0	63,5	1.800