

Bio 50/2

Scanjet tank cleaning equipment



KEY FEATURES

Bio 50 is an advanced tank cleaning machine specially developed for:

- + Sanitary design
- + Long Service Intervals
- + High Capacity
- + Long jet length

The Bio 50 has the highest capacity of all the machines in the Bio range. This twin nozzle, highly polished tank cleaning machine is designed for the largest vessel the food and beverage industry applications can throw at it. The Bio 50 is self-powered by the flow of the fluid through the inlet cone of the machine. An increase in the flow and pressure will correspondingly increase the length of jet and impact on the side of the tank or vessel. The Bio 50 employs exclusive self-washing features that allow it to be completely covered and has been certified in validation protocols such as riboflavin rinse validation and yoghurt washing trials.

Quality Standards

The Bio 50 is produced in accordance to the stringent quality standards and meets or exceeds ISO 9001 international Quality Standards as well as conforming to the cGMP as detailed by the United States FDA (Food and Drug Administration) and EHEDG (European Hygienic Equipment Design Group)

Typical Cleaning Methods

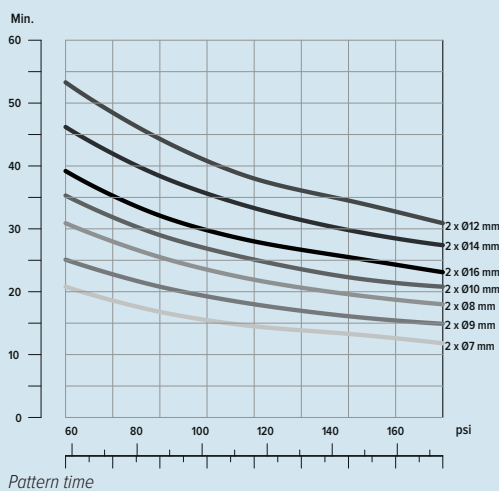
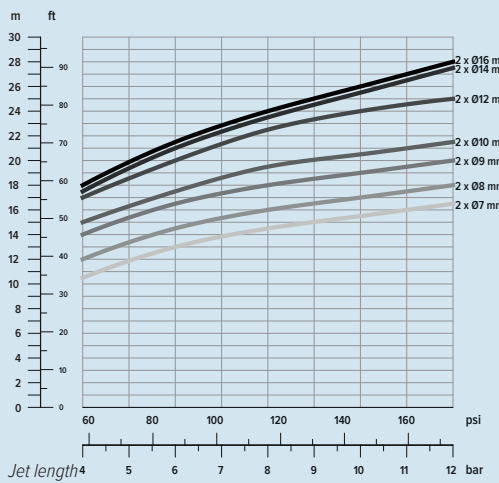
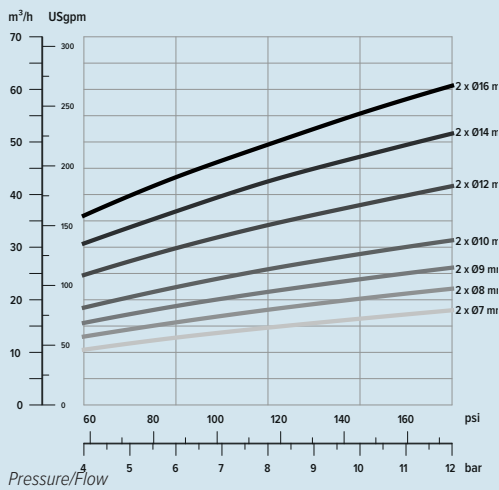
- + Fixed Installed CIP Systems
- + Multi-Tank Solution Recovery
- + Single Use / Single Pass
- + Single Use / Re-circulatory

Typical applications

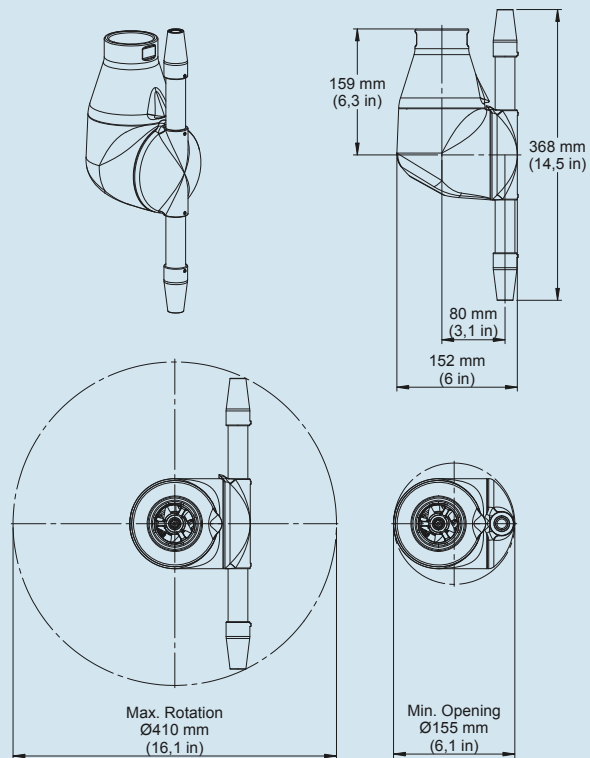
- + Large Process Vessels and reactors
- + Large Storage tanks
- + Large Fermenters



Technical performance



Dimensions



Specifications

Flow	10-28 m³/h
Inlet pressure	3-10 bar
Max pressure	12 bar
Recommended pressure	6 bar
Max temperature	95°C
Max ambient temperature	140°C
Weight	6,6 kg
Connections standards	2" BSP, NPT
Material	AISI 316, PTFE, PEEK
Lubrication	Cleaning media



Scanjet Systems AB
P.O. Box 9316
SE-400 97 Göteborg Sweden
Phone + 46 31 338 75 30
Fax + 46 31 338 75 40
E-mail sales@scanjetsystems.com
Web www.scanjetsystems.com